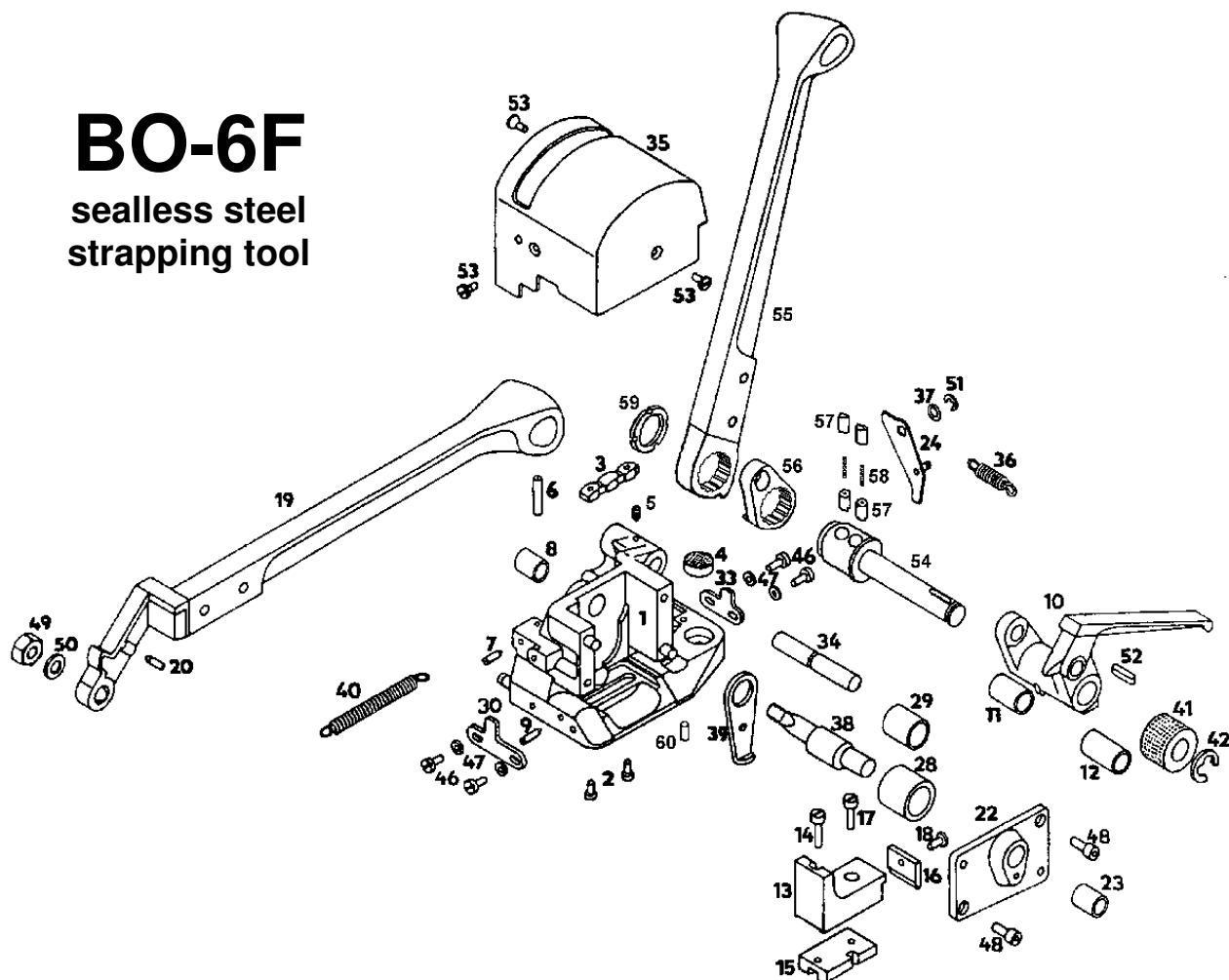


# BO-6F

sealless steel  
strapping tool



**Pos. Description**

- 1. body
- 2. screw
- 3. punch
- 4. die
- 5. screw
- 6. screw
- 7. screw
- 8. bush
- 9. screw
- 10. fork
- 11. bush
- 12. bush
- 13. piston
- 14. screw
- 15. punching die
- 16. blade
- 17. screw
- 18. screw
- 19. cut off lever
- 20. screw

**Pos. Description**

- 22. side
- 23. bush
- 24. shifter
- 28. roller
- 29. bush
- 30. stop
- 33. stop
- 34. pin
- 35. plastic cover
- 35. B metal cover
- 36. spring
- 37. washer
- 38. eccentric
- 39. connecting rod
- 40. spring
- 41. tightening disk
- 41. B tightening disk (cross teeth)
- 42. safety ring
- 46. screw

**Pos. Description**

- 47. washer
- 48. screw
- 49. nut
- 50. washer
- 51. safety ring
- 52. key
- 53. screw
- 54. shaft
- 55. tightening lever
- 56. fuse
- 57. catch
- 58. spring
- 59. nut
- 60. screw
- 13 -18. piston ass'y (13 - 18)
- 19. X cut off lever (lower part)
- 55. X tight. lever (lower part)